

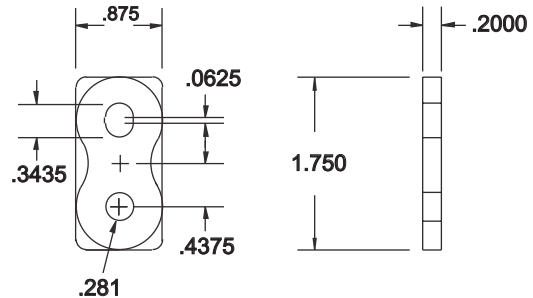
- Cast Metal for Strength and Durability
- Yellow Powder Coated Finish for High Visibility and Corrosion Resistance
- Safely holds your mold closed during transfer, storage, installation and removal from machines.

Small - Fits Molds 5 to 110 Ton

Part Number - CSS250

Price - \$5.40 (pack of 2 straps)

Note: Includes 1/4" dia x 5/8" long screws
Also fits 6 mm screw

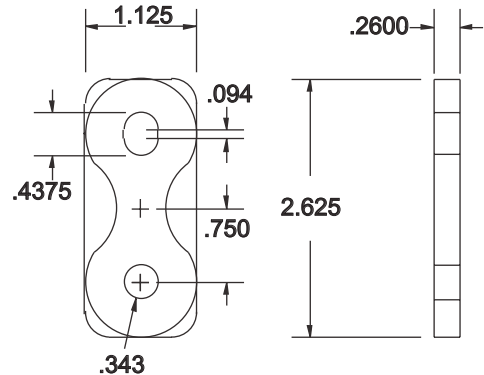


Medium - Fits Molds 75 to 220 Ton

Part Number - CSS312

Price - \$6.40 (pack of 2 straps)

Note: Includes 5/16" dia x 3/4" long screws
Also fits 8 mm screw

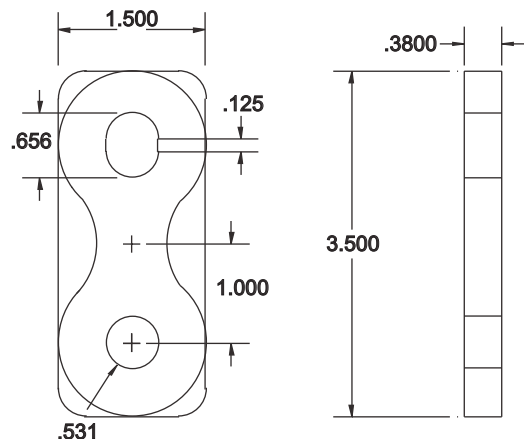


Large - Fits Molds 180 to 500 Ton

Part Number - CSS500

Price - \$12.60 (pack of 2 straps)

Note: Includes 1/2" dia x 1" long screws
Also fits 12 mm screw



Note: Holes are not for use with I-Bolts