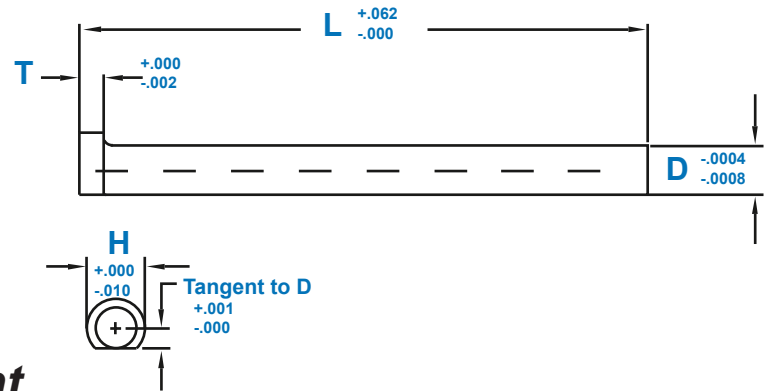


# Ejector Pins: D Head

## H-13 Steel

- Precision ground parallel to body for better fit.
- Flats ground tangent to the pin diameter
- Precision Fit - No Slop
- Tighter tolerances
- Dowels not required
- Save time and money - Machining not required
- Fast replacement on repairs
- Diameters not shown available upon request



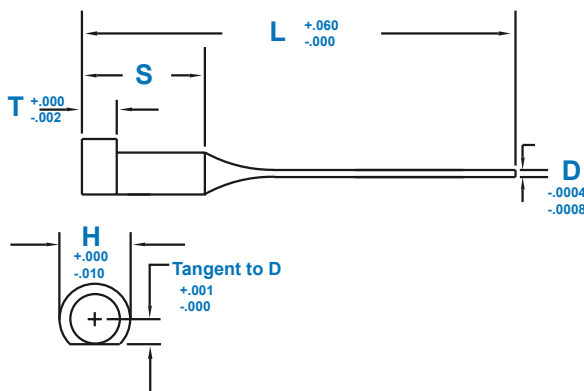
### Straight Style Pins - Tangent

| Pin Dia | Head Dia | Head Thick | L = Overall Length |          |          |          |          |
|---------|----------|------------|--------------------|----------|----------|----------|----------|
|         |          |            | 6"                 | 10"      | 14"      | 18"      | 25"      |
| 1/8     | 1/4      | 1/8        | EPD12506           | EPD12510 | EPD12514 | EPD12518 | EPD12525 |
| 9/64    | 1/4      | 1/8        | EPD14006           | EPD14010 | EPD14014 |          |          |
| 5/32    | 9/32     | 5/32       | EPD15606           | EPD15610 | EPD15614 | EPD15618 | EPD15625 |
| 11/64   | 11/32    | 3/16       | EPD17106           | EPD17110 | EPD17114 | EPD17118 |          |
| 3/16    | 3/8      | 3/16       | EPD18706           | EPD18710 | EPD18714 | EPD18718 | EPD18725 |
| 13/64   | 3/8      | 3/16       | EPD20306           | EPD20310 | EPD20314 | EPD20318 | EPD20325 |
| 7/32    | 13/32    | 3/16       | EPD21806           | EPD21810 | EPD21814 | EPD21818 | EPD21825 |
| 15/64   | 13/32    | 3/16       | EPD23406           | EPD23410 | EPD23414 | EPD23418 | EPD23425 |
| 1/4     | 7/16     | 3/16       | EPD25006           | EPD25010 | EPD25014 | EPD25018 | EPD25025 |
| 17/64   | 7/16     | 1/4        | EPD26506           | EPD26510 | EPD26514 | EPD26518 | EPD26525 |
| 9/32    | 7/16     | 1/4        | EPD28106           | EPD28110 | EPD28114 | EPD28118 | EPD28125 |
| 19/64   | 1/2      | 1/4        | EPD29606           | EPD29610 | EPD29614 | EPD29618 | EPD29625 |
| 5/16    | 1/2      | 1/4        | EPD31206           | EPD31210 | EPD31214 | EPD31218 | EPD31225 |
| 21/64   | 9/16     | 1/4        | EPD32806           | EPD32810 | EPD32814 | EPD32818 | EPD32825 |
| 11/32   | 9/16     | 1/4        | EPD34306           | EPD34310 | EPD34314 | EPD34318 | EPD34325 |
| 23/64   | 5/8      | 1/4        | EPD35906           | EPD35910 | EPD35914 | EPD35918 | EPD35925 |
| 3/8     | 5/8      | 1/4        | EPD37506           | EPD37510 | EPD37514 | EPD37518 | EPD37525 |
| 13/32   | 11/16    | 1/4        | EPD40606           | EPD40610 | EPD40614 | EPD40618 | EPD40625 |
| 7/16    | 11/16    | 1/4        | EPD43706           | EPD43710 | EPD43714 | EPD43718 | EPD43725 |
| 15/32   | 3/4      | 1/4        | EPD46806           | EPD46810 | EPD46814 | EPD46818 | EPD46825 |
| 1/2     | 3/4      | 1/4        | EPD50006           | EPD50010 | EPD50014 | EPD50018 | EPD50025 |
| 9/16    | 13/16    | 1/4        | EPD56206           | EPD56210 | EPD56214 | EPD56218 | EPD56225 |
| 5/8     | 7/8      | 1/4        | EPD62506           | EPD62510 | EPD62514 | EPD62518 | EPD62525 |
| 11/16   | 15/16    | 1/4        | EPD68706           | EPD68710 | EPD68714 | EPD68718 | EPD68725 |
| 3/4     | 1        | 1/4        | EPD75006           | EPD75010 | EPD75014 | EPD75018 | EPD75025 |
| 7/8     | 1-1/8    | 1/4        | EPD87506           | EPD87510 | EPD87514 | EPD87518 | EPD87525 |
| 1       | 1-1/4    | 1/4        | EPD99906           | EPD99910 | EPD99914 | EPD99918 | EPD99925 |

### Custom Flats

Flat ground to a specific distance from the center of the pin.

Call our sales department for pricing information.



### Step Style Pins - Tangent

| Step Length | Pin Dia | L = Overall Length |            |            |
|-------------|---------|--------------------|------------|------------|
|             |         | 6"                 | 10"        | 14"        |
| S           | D       |                    |            |            |
| 2" Shoulder | 3/64    | STD0462006         | STD0462010 | STD0462014 |
|             | 1/16    | STD0622006         | STD0622010 | STD0622014 |
|             | 5/64    | STD0782006         | STD0782010 | STD0782014 |
|             | 3/32    | STD0932006         | STD0932010 | STD0932014 |
|             | 7/64    | STD1092006         | STD1092010 | STD1092014 |